



LAING THERMOTECH SERIES

ecocirc®

The Newest Generation Smart Circulator

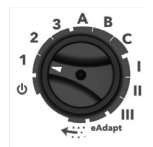


The newest generation variable speed ECM smart circulator, **ecocirc** from Goulds Water Technology provides a superior product for both heating and cooling as well as potable water.

Taking it further than ever before is our new **ecocirc+** model that allows for wireless connectivity directly to your phone for full control. Combine this pump with our incredible service network, and you have a winner.

ecocirc Features

- Maximum of 20 feet of head or 18 GPM
- 70W maximum power
- 3 modes: proportional pressure, constant pressure, or adjustable speed control
- Fluid temperature: 14-230°F
- **CircGuard™**: complete integrated system protection
- Automatic air purge to remove any air trapped in the pump
- One turn knob and multicolor LED display for easy reading and setting of the pump
- Check valve included in box
- Insulation shell included



ecocirc+ Features

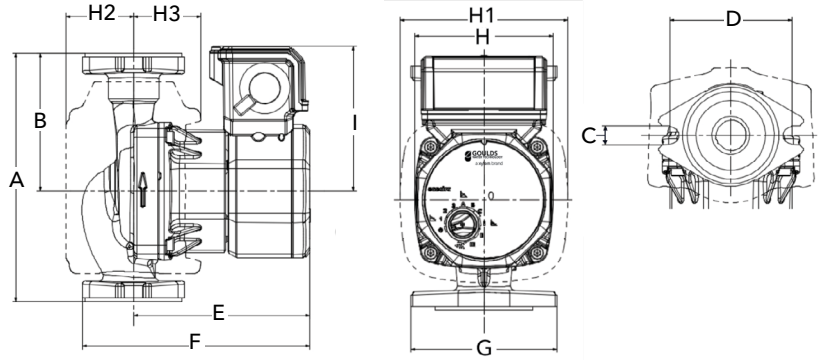
The ecocirc+ comes with all of the standard features found on the ecocirc plus the following premium features:

- Bluetooth® communication+
- 0-10V input+
- T/ΔT temperature control+
- eAdapt autolearn and Night Mode+
- Digital display+



Dimensions and Weights

ecocirc / ecocirc+ (Flanged)			
A	6.38" (162 mm)	E	4.57" (116 mm)
B	3.54" (90 mm)	F	5.9" (150 mm)
C	0.47" (12 mm)	G	3.74" (95 mm)
D	3.15" (80 mm)	H	3.54" (90 mm)
I	3.74" (95 mm)	H1	4.29" (109 mm)
H2	1.73" (44 mm)	H3	1.73" (44 mm)
Weight	5.86 lb. (2.66 kg)		



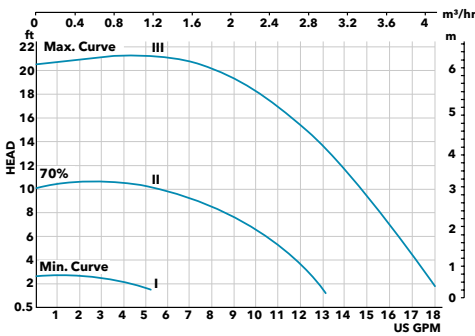
Part Numbers

ecocirc Part Number	Description
60B0G1030	ecocirc Cast Iron Flanged
60B0G1031	ecocirc Stainless Steel Flanged
60B0G1032	ecocirc Stainless Steel Union

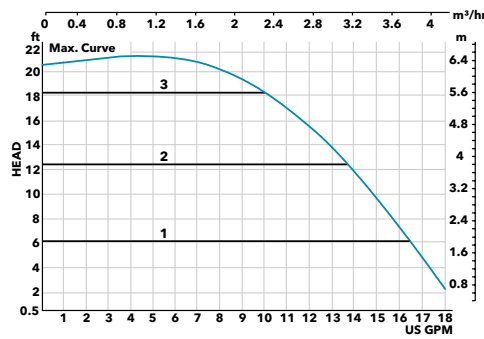
ecocirc+ Part Number	Description
60B0G1033	ecocirc+ Cast Iron Flanged
60B0G1034	ecocirc+ Stainless Steel Flanged
60B0G1035	ecocirc+ Stainless Steel Union

Performance

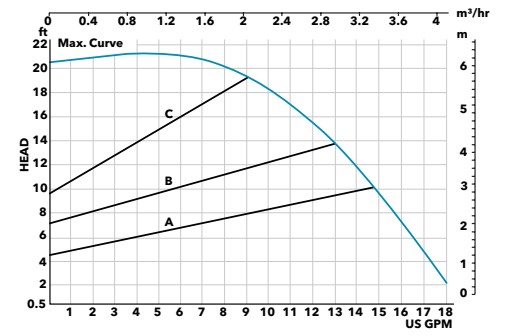
Fixed Speed Curve



Constant Pressure Curve



Proportional Pressure Curve



Cross Reference Chart

ecocirc / ecocirc+	Bell & Gossett	Grundfos	Taco	Armstrong	Wilo
ecocirc CI Flanged	ecocirc 19-16 CI, NRF-9L/W, NRF-22, NRF-33	Alpha2 15 55 (+), Alpha1 15-55, UPS 15-58, UP 15-42, UP 15-10	VT-2218 (+), VR-1816, 0018e (+), 0015e3, 007e, 006e3, 005-F, 007-F, 008-F, 0015-F	Compass H 20-20CI (+), Astro 2 210 CI, Astro 2 220 CI, Astro 2 230 CI, Astro 2 250 CI	Stratos ECO, Stratos 1.25 X 3- (+), 20 Star S-21
ecocirc SS Flanged	ecocirc 19-16 SS, NBF-12F/LW, NBF-22, NBF-25, SSF-12F/LW, SSF-22	Alpha2 15-55 (+), Alpha1 15-55, UPS 15-55, UPS 15-35, UP 15-29	005-BF, 007-BF, 008-BF, 0015-SF	Compass H 20-20 (+), SSF Astro 2 210 SS, Astro 2 230 SS, Astro 2 250 SS	Star Z S-21
ecocirc SS Union	NBF-8S/LW, NBF-9U/LW, NBF-10S/LW, NBF-12U/LW, NBF-18S/LW, NBF-22U, SSF-9U/LW, SSF-12U/LW, SSF-22U	UP 15-10B, UP 15-18B, UP 15-29SU	003-B, 003-BC, 006-B, 006-BC, 008-BC	Compass H 20-20 (+), SSU Astro 2 220, SSU Astro 2 225, SSU Astro 2 225, BS	N/A

Note: Stainless steel (SS) versions are NSF-61 certified. (+) designates the cross reference to the ecocirc+.

Xylem Product Cybersecurity Xylem values your system security and the availability of your critical services. For more information on Xylem cybersecurity practices or to contact the cybersecurity team please visit www.xylem.com/security

Learn more about ecocirc



Xylem Inc.
2881 East Bayard Street Ext., Suite A
Seneca Falls, NY 13148
www.xylem.com/goulds

Xylem, Laing Thermotech and ecocirc are trademarks or registered trademarks of Xylem Inc. or one of its subsidiaries. Goulds is a registered trademark of ITT Manufacturing Enterprises LLC and is used under license. The Bluetooth® word mark and logos are registered trademarks owned by Bluetooth SIG, Inc. and any use of such marks by Xylem Inc. or one of its subsidiaries is under license. All other trademarks or registered trademarks are property of their respective owners.

© 2024 Xylem Inc. GWTEcoSS-120061 R1 May 2024

